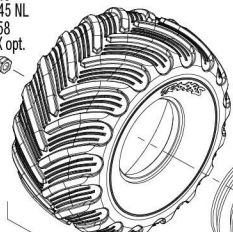


# TRAXXAS

9746  
2.5x0.45 NL  
5158  
9746X opt.



9867

9750  
9750A opt.  
9750X opt.

9746  
2x4 BCS  
9746X opt.

9750  
9750A opt.  
9750X opt.

9842

9746  
2.5x14 BCS  
9746X opt.

9746  
1.6x7 BCS (self-tapping)  
9746X opt.

9746  
2.5x14 BCS  
9746X opt.

9855

9746  
2.5x14 BCS  
9746X opt.

9746  
2.5x10 BCS  
9746X opt.

9746  
2.5x16 BCS  
9746X opt.

9746  
2.5x16 BCS  
9746X opt.

9745  
3.5x7x2.5 SLB  
9745X opt.

9730  
9730X opt.  
9756 opt.

9855

9746  
2.5x14 BCS  
9746X opt.

9746  
1.6x7 BCS (self-tapping)  
9746X opt.

9754  
9855

9855

9842

9746  
2.5x14 BCS  
9746X opt.

9764  
9764-BLUE opt.  
9764-GRAY opt.  
9764-GRN opt.  
9764-ORNG opt.  
9764-RED opt.

9831

9831

9746  
2.5x16 BCS  
9746X opt.

9745  
4x8x3 SLB  
9745X opt.

9741  
9744

9746  
2.5x18 BCS  
9746X opt.

9746  
2.5x10 BCS  
9746X opt.

9745  
4x8x3 SLB  
9745X opt.

9746  
1.6x12 BCS (self-tapping)  
9746X opt.

9730  
9730X opt.  
9756 opt.

9750  
9750A opt.  
9750X opt.

9746  
2x4 BCS  
9746X opt.

9746  
2.5x10 BCS  
9746X opt.

9745  
5x8x2.5 SLB  
9745X opt.

9738  
9738-BLKCR opt.  
9738-BLUE opt.  
9738-GRAY opt.  
9738-RED opt.  
9738-SATIN opt.

9746  
2.5x10 BCS  
9746X opt.

9745  
3x6x2.5 SLB  
9745X opt.

9776  
9776R opt.  
9776X opt.

9776  
9776R opt.  
9776X opt.

9745  
3x6x2.5 SLB  
9745X opt.

9776  
9776R opt.  
9776X opt.

9745  
3x6x2.5 SLB  
9745X opt.

9776  
9776R opt.  
9776X opt.

9745  
3x6x2.5 SLB  
9745X opt.

9776  
9776R opt.  
9776X opt.

9745  
3x6x2.5 SLB  
9745X opt.

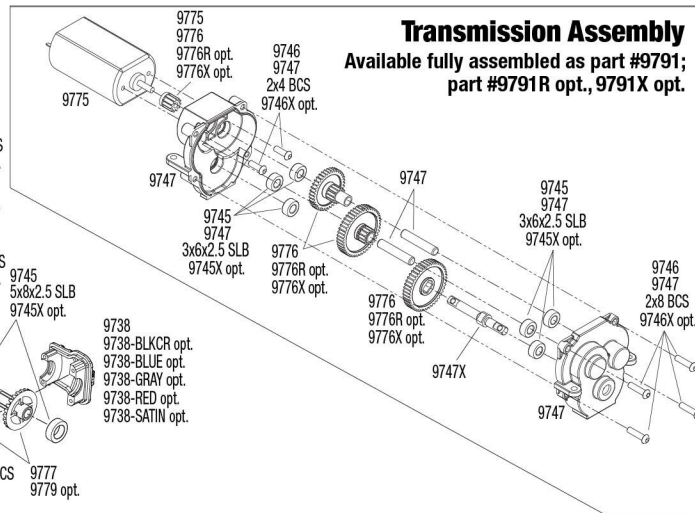
9776  
9776R opt.  
9776X opt.

9745  
3x6x2.5 SLB  
9745X opt.

9776  
9776R opt.  
9776X opt.

9745  
3x6x2.5 SLB  
9745X opt.

9776  
9776R opt.  
9776X opt.



## Transmission Assembly

Available fully assembled as part #9791;  
part #9791R opt., 9791X opt.

9775  
9776  
9776R opt.  
9776X opt.

9746  
9747  
2x4 BCS  
9746X opt.

9747

9745  
9747  
3x6x2.5 SLB  
9745X opt.

9776  
9776R opt.  
9776X opt.

9745  
9747  
3x6x2.5 SLB  
9745X opt.

9776  
9776R opt.  
9776X opt.

9745  
9747  
3x6x2.5 SLB  
9745X opt.

9776  
9776R opt.  
9776X opt.

9745  
9747  
3x6x2.5 SLB  
9745X opt.

9776  
9776R opt.  
9776X opt.

9745  
9747  
3x6x2.5 SLB  
9745X opt.

9776  
9776R opt.  
9776X opt.

9745  
9747  
3x6x2.5 SLB  
9745X opt.

9776  
9776R opt.  
9776X opt.

9745  
9747  
3x6x2.5 SLB  
9745X opt.

9776  
9776R opt.  
9776X opt.

9745  
9747  
3x6x2.5 SLB  
9745X opt.

9776  
9776R opt.  
9776X opt.

9745  
9747  
3x6x2.5 SLB  
9745X opt.

9776  
9776R opt.  
9776X opt.

9745  
9747  
3x6x2.5 SLB  
9745X opt.

9776  
9776R opt.  
9776X opt.

9745  
9747  
3x6x2.5 SLB  
9745X opt.

9776  
9776R opt.  
9776X opt.

9745  
9747  
3x6x2.5 SLB  
9745X opt.

9776  
9776R opt.  
9776X opt.

9745  
9747  
3x6x2.5 SLB  
9745X opt.

9776  
9776R opt.  
9776X opt.

9745  
9747  
3x6x2.5 SLB  
9745X opt.

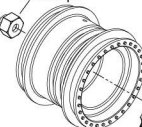
9776  
9776R opt.  
9776X opt.

9745  
9747  
3x6x2.5 SLB  
9745X opt.

9776  
9776R opt.  
9776X opt.

# TRX4MT

## Rear Assembly



9867

9746  
2.5x0.45 NL  
5158  
9746X opt.

REV 240422-R01

See Parts List for a complete listing of optional accessories.

Specifications on this page are subject to change without notice. Every attempt has been made to ensure the accuracy of this drawing; however, Traxxas cannot be held responsible for typographical or other errors.