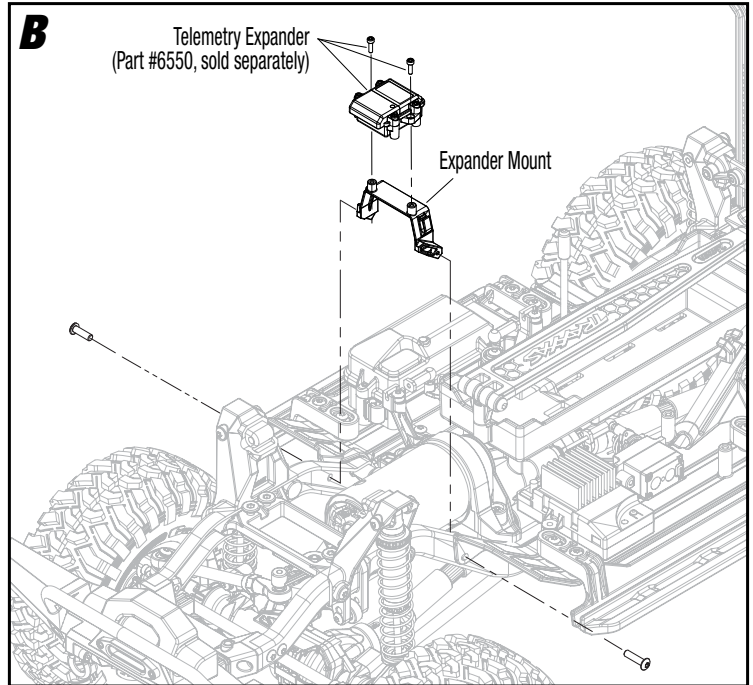
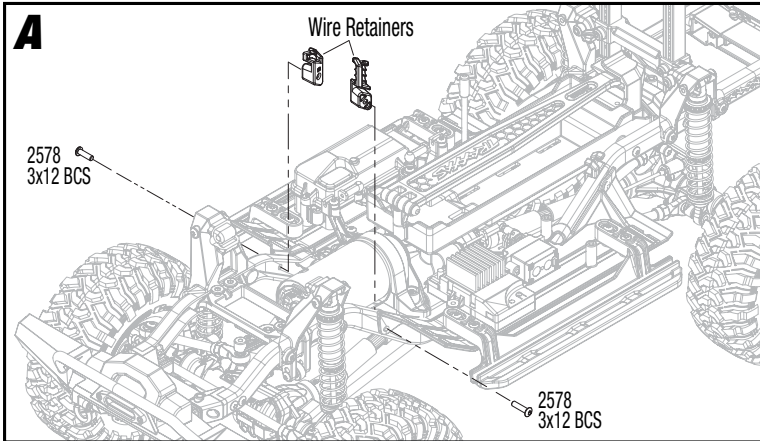




## Expander Mount Installation Instructions

Covers Part #6561

1. Loosen and remove the 3x12 BCS from the two front wire retainers; remove the wire retainers from the chassis rails (A).
2. Install the expander mount on the chassis rails using the two 3x12 BCS (B).
3. Reinstall the motor wires and steering servo wires into the clips on the expander mount.
4. Install the Telemetry Expander (part #6550, sold separately) on the mount.



TRAXXAS.COM

Traxxas, 6250 Traxxas Way, McKinney, TX 75070, Phone: 972-549-3000, Fax: 972-549-3011, e-mail: support@Traxxas.com

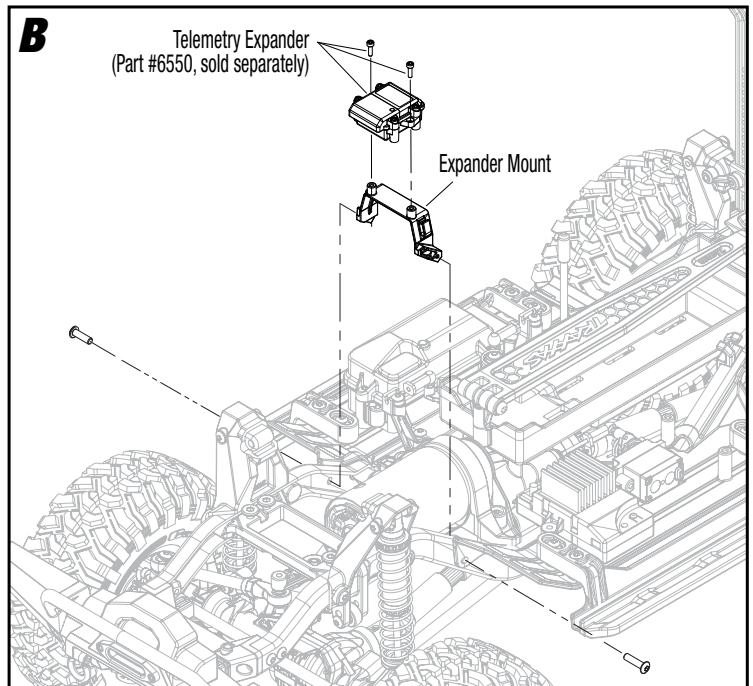
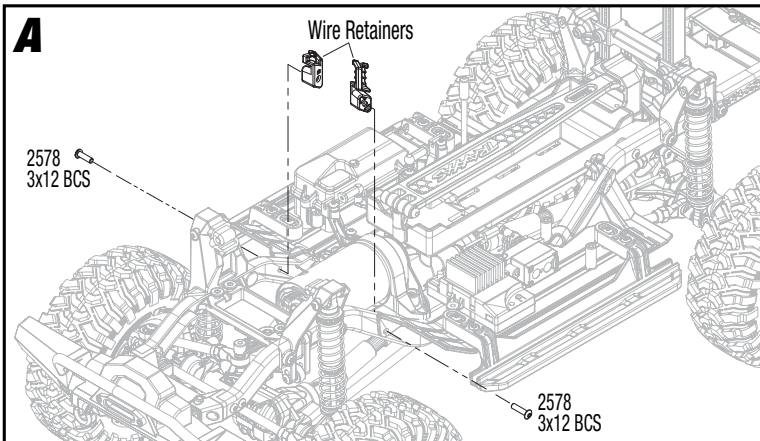
HKC17077-R00 Rev 171004



## Expander Mount Installation Instructions

Covers Part #6561

1. Loosen and remove the 3x12 BCS from the two front wire retainers; remove the wire retainers from the chassis rails (A).
2. Install the expander mount on the chassis rails using the two 3x12 BCS (B).
3. Reinstall the motor wires and steering servo wires into the clips on the expander mount.
4. Install the Telemetry Expander (part #6550, sold separately) on the mount.



TRAXXAS.COM

Traxxas, 6250 Traxxas Way, McKinney, TX 75070, Phone: 972-549-3000, Fax: 972-549-3011, e-mail: support@Traxxas.com

HKC17077-R00 Rev 171004