



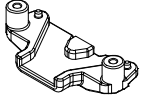
Expander Mount Installation Instructions

Covers Part #6556

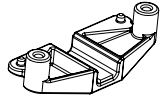
E-Revo/Summit (A-C), XO-1 (D)

Note: The E-Revo, Summit, and XO-1 use the same Expander mount; however, you will need to purchase the kit for the Rear Chassis Brace (Part #5632) to complete the Expander mount installation on the E-Revo and the Summit.

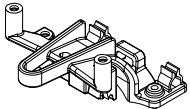
Use this kit part for the E-Revo, the Summit, or the XO-1:



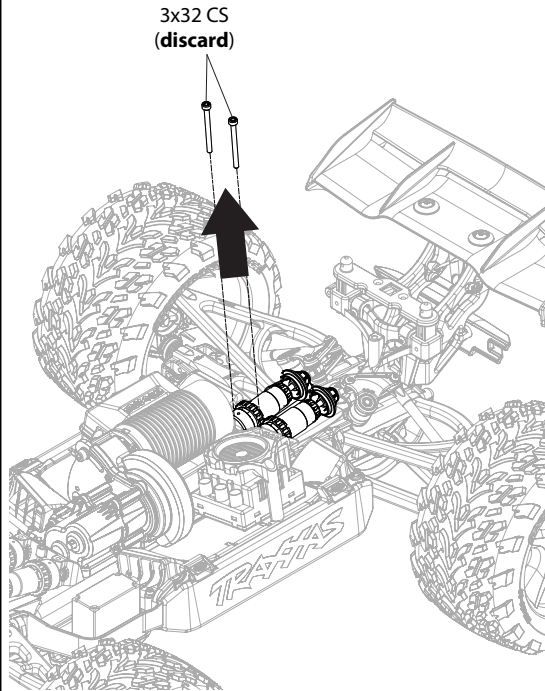
Use this kit part for the E-Maxx, the T-Maxx, or the S-Maxx:



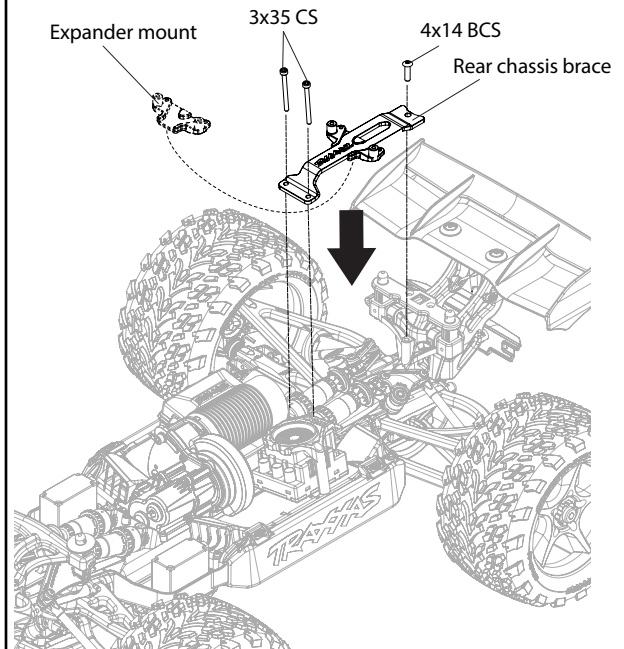
Use this kit part for the Revo 3.3 or the Slayer Pro 4x4:



A Remove the rear shock screws and discard.

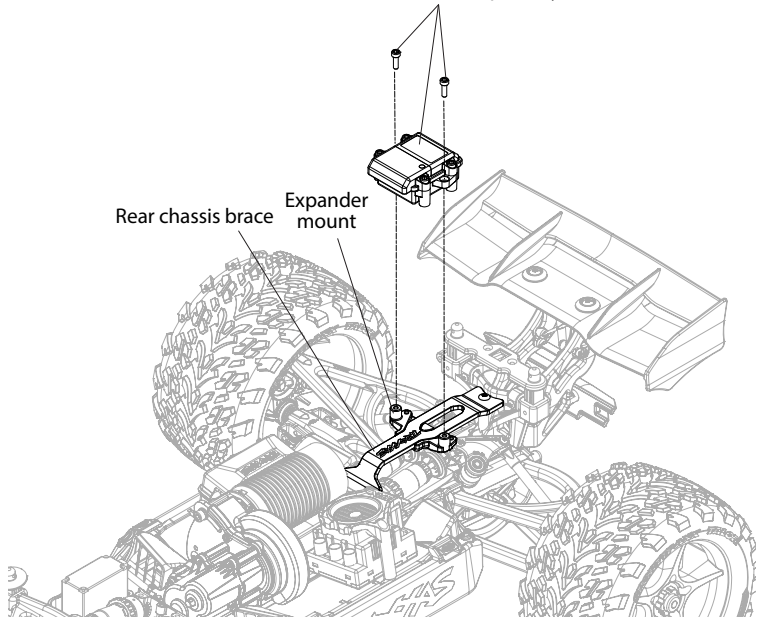


B Fit the Expander mount to the rear chassis brace, then install the assembly on the chassis and secure.



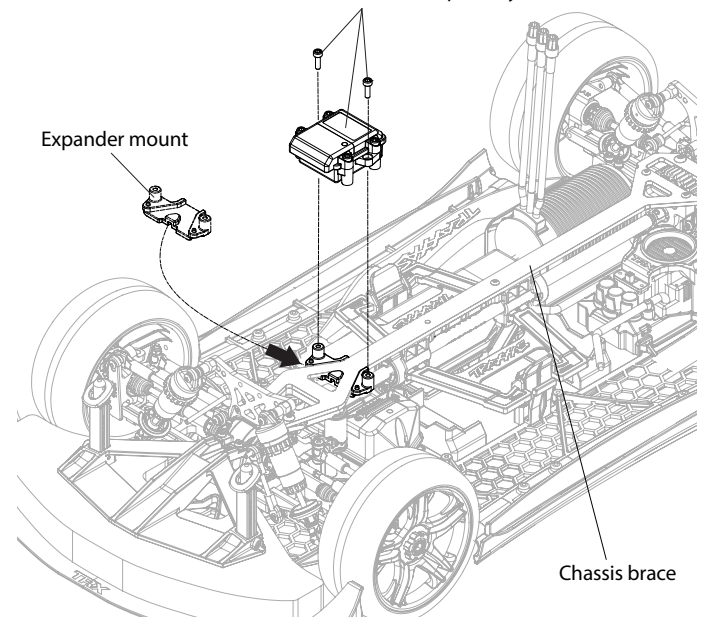
C

Telemetry Expander (Part #6550, sold separately)



D

Telemetry Expander (Part #6550, sold separately)



If you have questions or need technical assistance, call Traxxas at

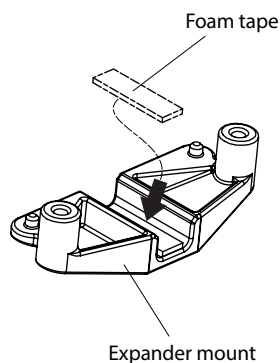
1-888-TRAXXAS

(1-888-872-9927) (U.S. residents only)

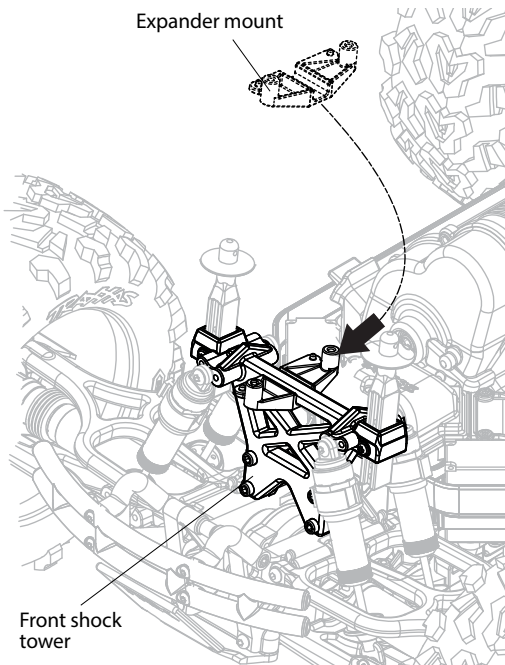
TRAXXAS.COM

E-Maxx, T-Maxx, S-Maxx

A Attach foam tape to the Expander mount.

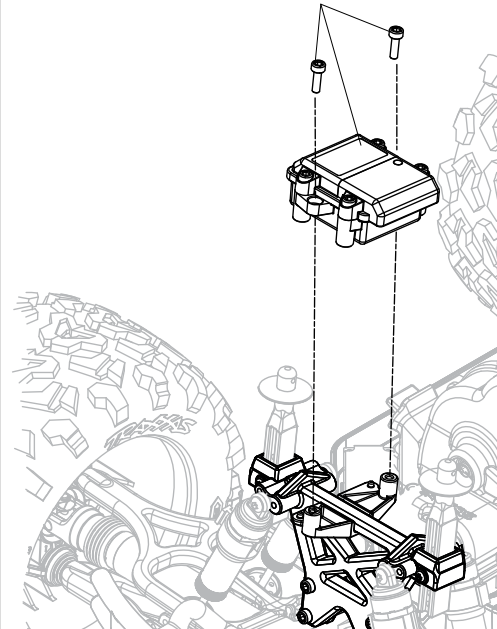


B Fit and hold the Expander mount on the front shock tower.



C

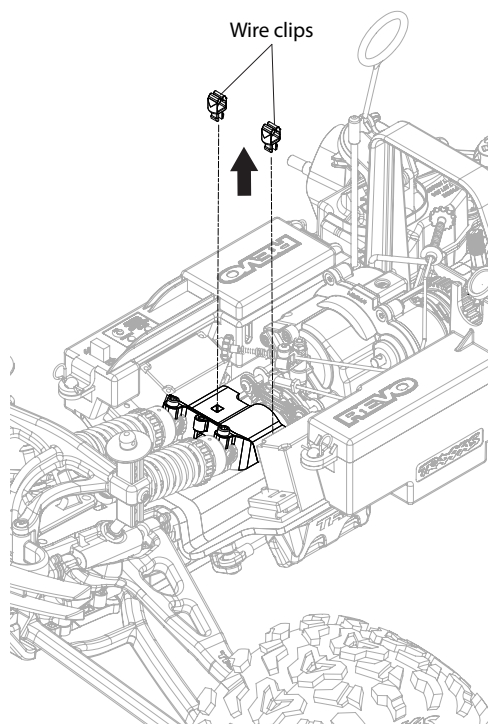
Telemetry Expander
(Part #6550, sold separately)



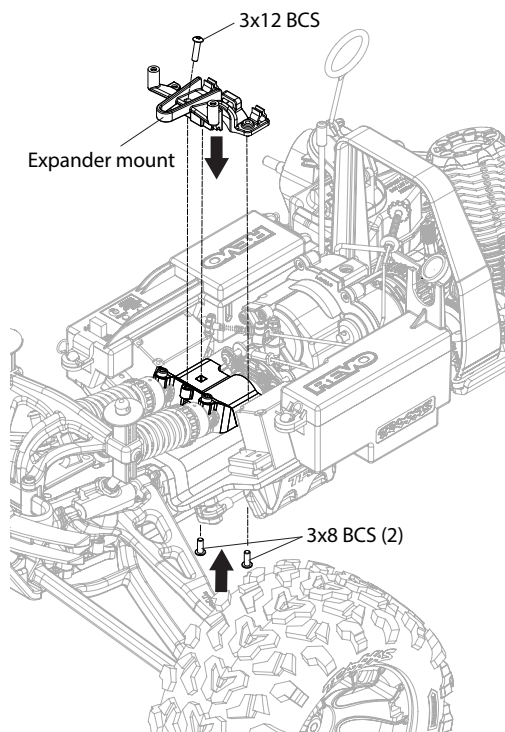
Revo 3.3, Slayer Pro 4x4

Note: If a swaybar kit has been installed, this Expander mount will replace the swaybar mounting bracket.

A Remove the wire clips (discard).

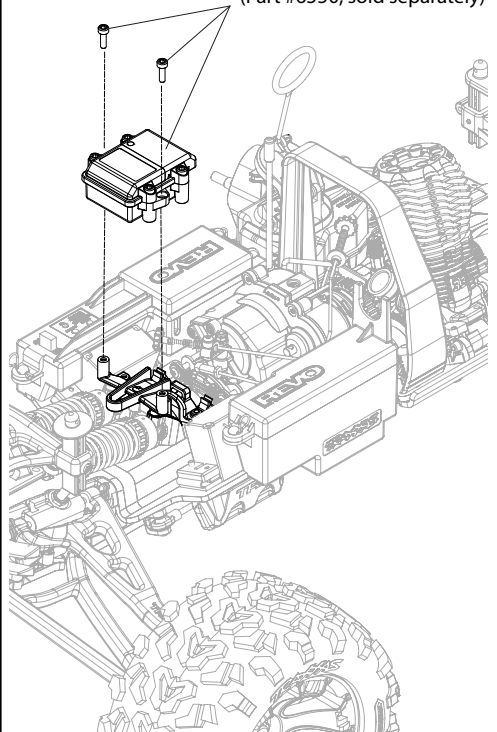


B Install the Expander mount.



C

Telemetry Expander
(Part #6550, sold separately)



If you have questions or need technical assistance, call Traxxas at

1-888-TRAXXAS

(1-888-872-9927) (U.S. residents only)

TRAXXAS.COM

Traxxas, 6250 Traxxas Way, McKinney, TX 75070, Phone: 972-549-3000, Fax: 972-549-3011, e-mail: support@Traxxas.com