

# **G.T.POWER<sub>Co</sub>**

**HIGH POWER 3W FLIGHT SIMULATED  
AND FLASHING LIGHT SYSTEM**

**OPERATING INSTRUCTION**

Thanks for purchasing this product. To reach your ideal effect, please read the manual carefully. This RC flight lighting system is the simulation of large passenger aircraft, helicopter and fighter public lighting group. It is easy to install and operate, and welcomed by most RC car amateurs.

### **【Features】**

1. It's designed according to the standard of aircraft lights which makes your aircraft more realistic and shine.
2. Eight light group interfaces, red anti-collision lights, white flashing lights, navigation lights (left side is red, right side is green), landing lights.
3. Eight operating modes, which can be connected to any switched channel on remote control for mode conversion.
4. Low voltage detection function: when the battery voltage is lower than 6.8V, all lights flashing.

### **【Contents】**

1. 5mm white light×5 pcs, 5mm green light×1 pc, 5mm red light×2 pcs;
2. Control box x 1pc
3. 3M sticker
4. Accessories bag x 8pcs
5. Operating manual x 1pc

### **【Specification】**

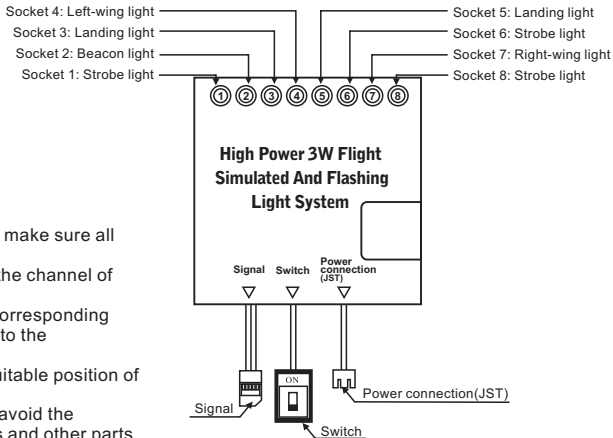
- |  |                             |
|--|-----------------------------|
| 1. Input voltage: power supplied by 2S lithium battery | 6. Switch wire length: 25cm |
| 2. Working current: 1200mA.                            | 7. Signal wire length: 30cm |
| 3. LED wire length: 80cm.                              | 8. Dimension: 55x52mm       |
| 5. Power connection wire length: 30cm.                 | 9. Weight: 100g             |

### 【Main control box】

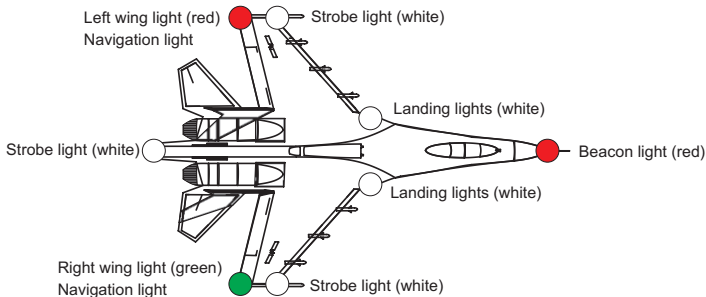
Socket 1: Strobe light  
Socket 2: Beacon light  
Socket 3: Landing light  
Socket 4: Left-wing light  
Socket 5: Landing light  
Socket 6: Strobe light  
Socket 7: Right-wing light  
Socket 8: Strobe light

### 【How to install】

1. First of all check accessories to make sure all the parts are included.
2. Use the connect wire to switch the channel of remote control.
3. Connect each light wire to the corresponding socket in control box according to the requirements of control.
4. Stick main control box on the suitable position of the aircraft.
5. Make all the light wires fixed to avoid the interference between light wires and other parts of the aircraft.
6. Fix all the wires and check whether they are set correctly.



### 【Connection diagram of the light location】



LED light could be installed flexibly, according to your preference.

### 【Product model】

After connecting the wires, enter the operating modes. Through the control of remote control switch can enter into the 8 operating modes.

Mode 1: Civil aviation standards; the left red light and the right green light are always on, the flashing lights are flashing in highest speed, the beacon light is flashing in highest speed at a certain frequency, the landing lights are off or on circularly.

Mode 2: Civil aviation standards; the left red light , the right green light and the flashing lights are flashing in highest speed at a certain frequency, the beacon light is flashing in highest speed at a certain frequency, the landing lights are off or on circularly.

Mode 3 and Mode 4: Flash alternately; left side flash two times, right side flash two times, changing differently.

Mode 5: The left red light, the right green light and the flashing lights are always on, the beacon light is flashing in highest speed at a certain frequency, the landing lights are off or on circularly.

Mode 6: Emergency forced landing light flashing mode; all the lights are quickly flashing in highest speed at a certain frequency.

Mode 7: Normal cruise flashing, with all the lights flash slowly.

Mode 8: All the lights are on.

Mode 9: All the lights are off.

### **【Note】**

1. Please read the manual carefully before setting up the product.
2. Please don't use the power supply that is over the safe voltage.
3. Please avoid water while using in case of short-circuits.
4. Please keep this manual for reference at any time.

### **【Warranty and service】**

We warrant this product for a period of one year (12 months) from the date of purchase. The guarantee applies only to such material or operational defects, which are present at the time of purchasing the product. During that period, we will replace without service charge any product deemed defective due to those causes. You will be required to present proof of purchase (invoice or receipt). This warranty does not cover the damage due to wear, overloading, improper handling or using of incorrect accessories.

感謝您購買本產品，為達到你想要的效果，請仔細參閱本說明書。它是目前市場上受親睞的產品之一。該模型飛機燈光系統是仿真大型客機、直升機及戰鬥機公共燈組設計而成。它容易安裝，操控簡潔，深受廣大飛機模型愛好者的喜愛。

### 【產品功能】

1. 根據飛行器航燈標準設計而成，使您的飛行器更逼真，更閃亮。
2. 八個可接燈組口，防撞信標紅燈、爆閃燈白燈、左紅右綠航行燈、起落架燈。
3. 8種工作模式，可以接在遙控器的任何開關通道上進行模式轉換
4. 自帶低電壓檢測功能：當電池電壓低於6.8V時，所有燈爆閃。

### 【產品清單】

1. 白燈x 5pcs； 綠燈x 1pcs； 紅燈x 2pcs。
2. 控制箱一個。
3. 強力3M雙面膠
4. 固定綫扣八個
5. 說明書一份。

### 【產品規格】

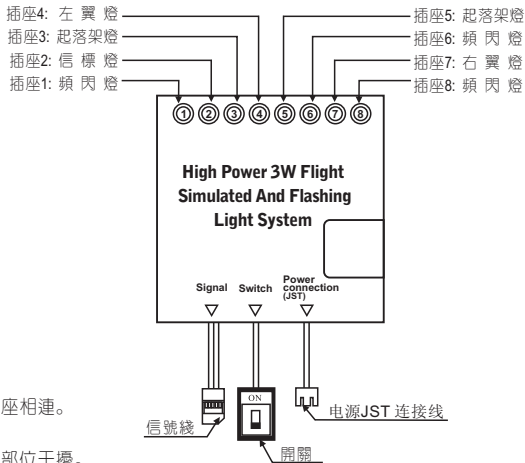
- |                  |                |
|------------------|----------------|
| 1. 輸入電壓： 2S鋰電池供電 | 6. 開關綫長度： 25cm |
| 2. 工作電流： 1200mA  | 7. 信號綫長度： 30cm |
| 3. 燈綫長度： 80cm    | 8. 尺寸： 55x52mm |
| 5. 電源連接綫長度： 30cm | 9. 重量： 100g    |

## 【主控制盒】

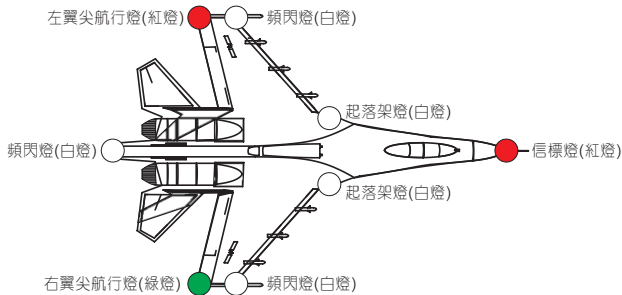
- 插座1: 頻閃燈
- 插座2: 信標燈
- 插座3: 起落架燈
- 插座4: 左翼燈
- 插座5: 起落架燈
- 插座6: 頻閃燈
- 插座7: 右翼燈
- 插座8: 頻閃燈

## 【產品安裝】

- 1、首先檢查一下配件是否齊全。
- 2、將信號綫綫連接遙控器的開關通道。
- 3、將各燈綫按控制要求與控制箱內相應插座相連。
- 4、把主控箱粘在飛機合適的位置。
- 5、固定好各燈綫，避免燈綫與飛機的其它部位干擾。
- 6、安裝好所有的電綫，并檢查都已正確安裝。



## 【燈位置的連接示意圖】



\*燈的位置可依個人喜好，靈活安裝。

## 【產品模式】

接好綫后，即該燈組已經進入了工作模式。通過控制遙控器的開關就可以進入另外8種工作模式。

模式一：民航標準，左紅右綠常亮，頻閃燈爆閃，信標燈按一定頻率爆閃，起落架燈減亮循環。

模式二：民航標準，左紅右綠+頻閃燈按一定頻率爆閃，信標燈按一定頻率爆閃，起落架燈減亮循環。

模式三、四：交替閃爍，左閃兩下，右閃兩下不同變換。

模式五：左紅右綠+爆閃燈常亮，信標燈按一定頻率爆閃，起落架燈滅亮循環。

模式六：緊急狀態下迫降閃法，所有的燈快速按一定頻率爆破閃爍。

模式七：正常巡航的閃爍，所有燈一起慢閃。

模式八：全亮。

模式九：全滅。

### **【注意事項】**

1. 請仔細閱讀完本說明書后再安裝產品。
2. 請不要使用超過安全電壓的電源。
3. 請不要在雨中使用本產品，已免短路。
4. 請妥善保管本說明書，以便隨時查閱。

### **【保修條款】**

我們對所購買的產品質量保1年(12個月)，自購買之日起。這個質保只適用於產品在購買后出現產品質量問題。在產品保修期間，只要你憑借購買憑證(發票或收據)一切有質量問題的產品都可以免費維修或更換。但由于磨損，超負荷，人為操作不當或者配件的錯誤使用所造成的損壞，則不予以免費維修或替換。

**G.T.POWER<sub>®</sub>**

